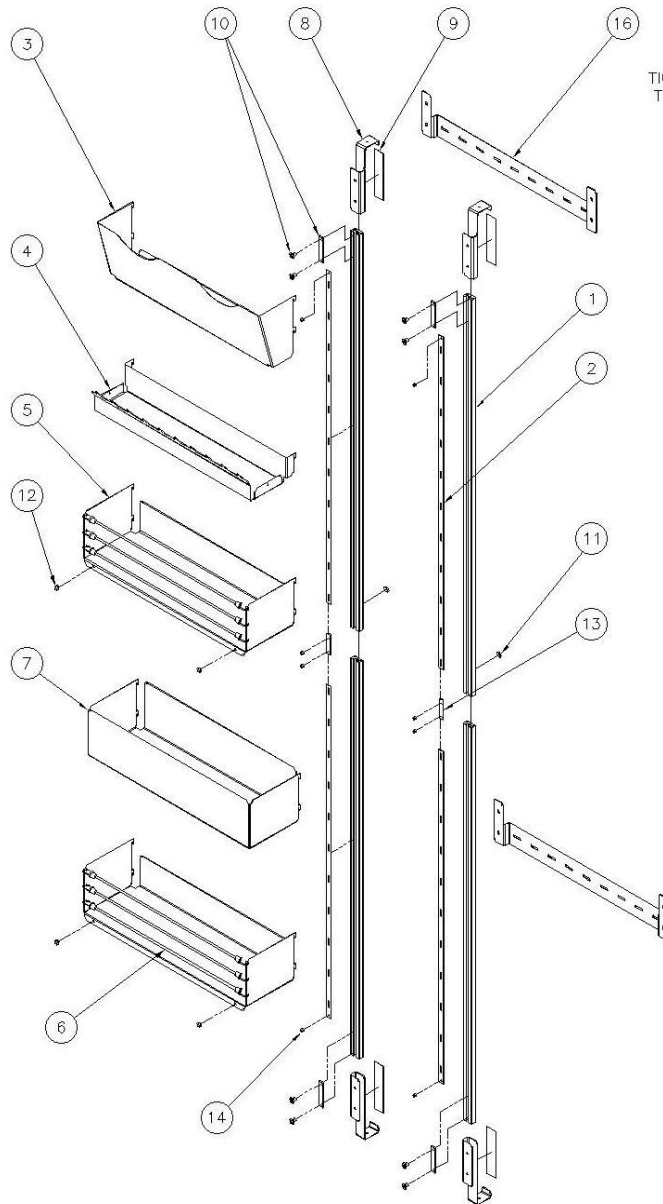


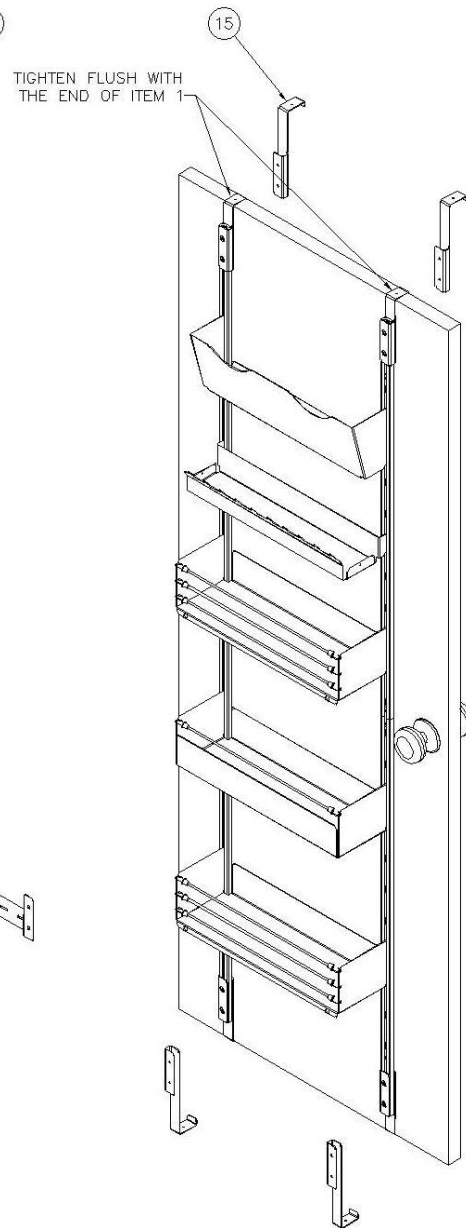
The Door Organizer Standard Kit Instructions

Kit includes parts for a common residential door: 80" Tall x 1 3/8" Deep
Commercial door hanging brackets are for: 84" Tall x 1 3/4" Deep Doors

Door Organizer Components



Assembled & Installed



The following components are included in the standard kit:

- | | | |
|-------------------------------|---------------------------|-----------------------------|
| 1. (4) Aluminum Rail Assembly | 6. (7) Bungee Cords | 11. (4) Clear Stick-On Pads |
| 2. (4) Slotted Rail Inserts | 7. (1) Standard Bin | 12. (4) Black Bumpers |
| 3. (1) Paper Bin | 8. (4) Hanger Brackets | 13. (2) Rail Connector |
| 4. (1) Hook Tray | 9. (4) Felt Pads | 14. (8) Setscrew |
| 5. (2) Bungee Bins | 10. (8) Screws & (8) Nuts | 15. (1) 1/8" Hex Key |

Optional Parts: Alternate Hanger Brackets (16) and Wall Mount (17) are not included

Instructions Continued:

1. Estimated installation time 10-15 minutes.
2. Contents of this package are for residential doors measuring 78-82" tall x 1 3/8" thick and no narrower than 28 inches. If your door is thicker than 1 3/8" or taller than 82", call (616) 975-3770 for special hanger brackets.
3. Tools required: standard size (No.2) Philips screw driver, tape measure & 1/8" Hex Key (Included).
4. Join rail halves by sliding pins from one half rail into openings in opposite half while engaging rail connector. Tighten setscrews in rail connector with supplied hex key. Repeat for second rail.
5. Remove backing of felt strips and apply to inside hook surface of each hanger bracket.
6. Lay aluminum rail assemblies on flat surface.
7. Pre-install (2) screws to each hanger bracket (Item 8) using elongated nuts.
8. Slide elongated nuts of each pre-assembled hanger bracket into each end of the aluminum rails.
9. Tighten upper hanger brackets to rails with edge of bracket flush to top of rail (See assembled drawing). This is important to keep the rails even for hanging bins parallel to floor.
10. Hang assembled rail against door to check for contact points. Note voids created by panel construction of your particular door. Apply the clear self-stick pads (Item 11) to the back side of each rail to eliminate contact with your door's finish. Space the pads approximately 12-18 inches from each end of the assembled rail avoiding areas where door does not touch rail.
11. With door open, slide pre-assembled bottom hangers under bottom edge of door. Lift rail assembly to allow insertion of elongated nuts of hanger into bottom end of each rail, lower, and tighten loosely.
12. Using your tape measure, space rails 18 inch apart and center on door.
13. Slide each bottom hanger upward without lifting rail assembly and tighten bottom hanger screws.
14. Install bins and trays on the slotted rails as desired.
15. Stretch bungee cords across front opening of bungee bin using holes provided. **Use caution while installing bungee cords to avoid injury. Secure hook ends carefully. Keep face and other vulnerable body parts out of cord's rebound path until secure.**
16. Press optional black rubber bumpers (Item 12) into holes on the front lip of the bungee bins if your unit opens against a wall.
17. Holes are provided in the hook of each hanger bracket if you wish to secure unit with screws (not provided).
18. Your door organizer is now ready for use. All bins can easily be removed and replaced empty or full to optimizing space for tall items.

Note: Door Organizers are very sturdy, be careful to not exceed the load capacity of your door hinges.

Visit our website www.thedoororganizer.com to see the latest Door Organizer products. Exciting new products are in the works for specific organizer needs.